

# XD 10™, XD 20™ and XD 30™ Hose Reels

## Hose Reels and Packages

### Features and Benefits

- Designed for robust/heavy-duty applications such as mobile lube trucks or large equipment service, yet with a narrow footprint to fit more reels into small spaces
- Dual pedestal frame provides increased strength for extreme-duty applications
- Long lasting spring is sealed for protection against the weather
- Durable steel spool rides on sealed roller bearings to ensure trouble-free performance
- Available in four colors. Metallic blue is standard
- Available with arms removed for bulkhead mounting

### Typical Applications

- Heavy-duty truck dealers
- Fleet maintenance
- Mining maintenance
- Public works garages
- Construction vehicle maintenance
- Heavy-duty mobile service trucks
- Mining

### Typical Fluids Handled

- Petroleum- and synthetic-based oils
- Grease
- Fuel
- Pressure wash
- Air
- Water
- Anti-freeze
- Windshield washer
- Waste oil

*Note: Hose Inlet Kit for all XD Reels sold separately.*

### Dimensions

| XD 10 |                  |
|-------|------------------|
| A     | 7.5 in (196 mm)  |
| B     | 16.2 in (412 mm) |
| C     | 21.0 in (533 mm) |
| D     | 18.0 in (457mm)  |
| E     | 18.5 in (470 mm) |
| F     | 22.5 in (571 mm) |

| XD 20 |                  |
|-------|------------------|
| A     | 7.5 in (196 mm)  |
| B     | 18.1 in (460 mm) |
| C     | 23.4 in (594 mm) |
| D     | 20.0 in (508 mm) |
| E     | 21.0 in (533 mm) |
| F     | 25.2 in (640 mm) |

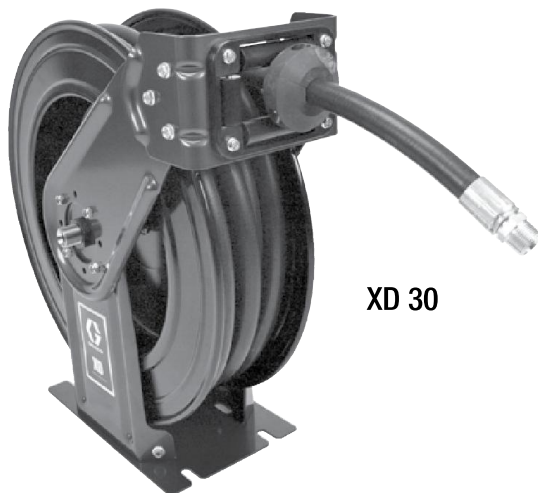
| XD 30 |                      |
|-------|----------------------|
| A     | 9.0 in (229 mm)      |
| B     | 21.50 in (546.00 mm) |
| C     | 25.96 in (659.45 mm) |
| D     | 22.12 in (561.73 mm) |
| E     | 23.10 in (588.00 mm) |
| F     | 27.60 in (700.82 mm) |



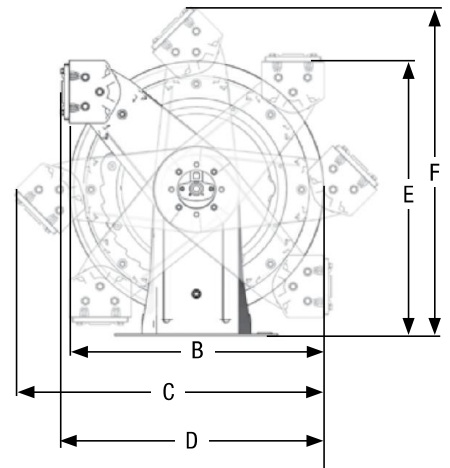
XD 10



XD 20



XD 30



# XD 10™, XD 20™ and XD 30™ Hose Reels

## Hose Reels and Packages

### Ordering Information

### Technical Specifications

| Applications                                     | Model numbers by color |         |         |             | Pressure<br>psi (bar) | Hose        |               | Connection Size |             | Operating Temp.           |                            |                           |
|--|------------------------|---------|---------|-------------|-----------------------|-------------|---------------|-----------------|-------------|---------------------------|----------------------------|---------------------------|
|  | Metallic Blue          | White   | Yellow  | Desert Sand |                       | id in       | Length ft (m) | Inlet in        | Outlet in   |                           |                            |                           |
| Air, Water, Anti-Freeze, Windshield Washer Fluid | XD 10                  | HSL25B  | HSL25A  | HSL25F      | HSL25G                | 300 (20.7)  | 3/8           | 50 (15)         | 1/2 npsm(m) | 3/8 npt(m)                | -20–190° F<br>(-28–87° C)  |                           |
|  |                        | HSL2DB* | HSL2DA* | HSL2DF*     | HSL2DG*               |             | 3/8           | 50 (15)         |             | 3/8 npt(m)                |                            |                           |
|  |                        | HSL33B  | HSL33A  | HSL33F      | HSL33G                |             | 1/2           | 35 (11)         |             | 1/2 npt(m)                |                            |                           |
|  | XD 20                  | HSL56B  | HSL56A  | HSL56F      | HSL56G                |             | 3/8           | 65 (20)         |             | 3/8 npt(m)                |                            |                           |
|  |                        | HSL65B  | HSL65A  | HSL65F      | HSL65G                |             | 1/2           | 50 (15)         |             | 1/2 npt(m)                |                            |                           |
|  |                        | HSL6DB* | HSL6DA* | HSL6DF*     | HSL6DG*               |             | 1/2           | 50 (15)         |             | 1/2 npt(m)                |                            |                           |
|  | XD 30                  | HSLC8B  | HSLC8A  | HSLC8F      | HSLC8G                |             | 1/2           | 75 (23)         |             | 3/4 npsm(m)               | 1/2 npt(m)                 | -40–180° F<br>(-40–82° C) |
|  |                        | HSLD5B  | HSLD5A  | HSLD5F      | HSLD5G                |             | 3/4           | 50 (15)         |             |                           | 3/4 npt(m)                 |                           |
| Petroleum– and Synthetic– Based Oils             | XD 10                  | HSM33B  | HSM33A  | HSM33F      | HSM33G                | 2,000 (138) | 1/2           | 1/2 npsm(m)     | 1/2 npt(m)  | -20–190° F<br>(-28–87° C) |                            |                           |
|  |                        | HSM3BB* | HSM3BA* | HSM3BF      | HSM3BG                |             |               |                 | 1/2 npt(f)  |                           |                            |                           |
|  | XD 20                  | HSM65B  | HSM65A  | HSM65F      | HSM65G                |             |               |                 | 50 (15)     |                           | 1/2 npt(m)                 |                           |
|  |                        | HSM6DB* | HSM6DA* | HSM6DF*     | HSM6DG                |             |               |                 | 50 (15)     |                           | 1/2 npt(f)                 |                           |
|  | XD 30                  | HSMC8B  | HSMC8A  | HSMC8F      | HSMC8G                | 1,500 (103) | 75 (23)       | 3/4 npsm(m)     | 1/2 npt(m)  | -40–180° F<br>(-40–82° C) |                            |                           |
|  |                        | HSMCFB* | HSMCFA* | HSMCFF*     | HSMCFG*               | 2,000 (138) | 75 (23)       |                 | 1/2 npsm(f) |                           |                            |                           |
|  |                        | HSM5B   | HSM5A   | HSM5F       | HSM5G                 | 1,250 (86)  | 3/4           |                 | 50 (15)     |                           | 3/4 npt(m)                 |                           |
|  |                        | HSM5DB* | HSM5DA* | HSM5DF*     | HSM5DG*               | 2,000 (138) | 3/4           |                 | 3/4 npsm(f) |                           |                            |                           |
| Grease   | XD 10                  | HS115B  | HS115A  | HS115F      | HS115G                | 8,000 (552) | 1/4           | 50 (15)         | 3/8 npsm(m) | 1/4 npt(m)                | -40–200° F<br>(-40°–93° C) |                           |
|  |                        | HS11DB* | HS11DA* | HS11DF*     | HS11DG*               |             | 3/8           | 35 (11)         |             | 3/8 npt(f)                |                            |                           |
|  | XD 20                  | HS55B   | HS55A   | HS55F       | HS55G                 | 4,000 (276) | 3/8           | 50 (15)         | 1/2 npsm(m) | 1/4 npt(m)                |                            |                           |
|  |                        | HS55DB* | HS55DA* | HS55DF*     | HS55DG*               | 8,000 (552) |               |                 |             | 3/8 npsm(f)               |                            |                           |
|  | XD 30                  | HS5C5B  | HS5C5A  | HS5C5F      | HS5C5G                | 5,000 (345) | 1/2           | 75 (23)         | 3/8 npt(f)  | 1/2 npt(m)                | -40–180° F<br>(-40–82° C)  |                           |
|  |                        | HS5CDB* | HS5CDA* | HS5CDF*     | HS5CDG*               |             |               |                 |             | 1/2 npsm(f)               |                            |                           |
| HS5B7B   |                        | HS5B7A  | HS5B7F  | HS5B7G      | 3/8                   |             |               |                 |             | 75 (23)                   |                            |                           |
| Pressure Wash                                    | XD 30                  | HSPB8B  | HSPB8A  | HSPB8F      | HSPB8G                | 4,000 (276) | 3/8           | 75 (23)         | 1/2 npsm(m) | 3/8 npt(m)                | -20–225° F<br>(-28–107° C) |                           |
|  |                        | HSHFFB* | HSHFFA* | HSHFFF*     | HSHFFG*               |             |               |                 |             | 3/8 npsm(f)               |                            |                           |
|  |                        | HSPC5B  | HSPC5A  | HSPC5F      | HSPC5G                | 4,500 (310) | 1/2           | 50 (15)         | 1/2 npt(m)  |                           |                            |                           |
| Fuel/Evacuation                                  | XD 30                  | HSLE3B  | HSLE3A  | HSLE3F      | HSLE3G                | 125 (8.6)   | 1             | 30 (9)          | 3/4 npsm(m) | 1 npt(m)                  | -40–120° F<br>(-40–49° C)  |                           |
| DEF  | XD 30                  | HSDD5B  | HSDD5A  | HSDD5F      | NA                    | 50 (3.4)    | 3/4           | 50 (15)         | 3/4 bspp(m) | 3/4 bspp ORB              | 12–140° F<br>(-11–60° C)   |                           |
|  |                        | HSDDDB* | HSDDDA  | HSDDDF      | NA                    |             |               |                 |             |                           |                            |                           |

Maximum dry weight with hose: XD10 = 54 lbs (24.5 kg), XD20 = 59 lbs (27 kg), XD30 = 98 lbs (44.5 kg)

Wetted parts—Bare hose reel only: zinc plated steel, anodized aluminum, nitrile rubber

Instruction Manuals: XD10 and XD20: 313431, XD30: 3A0138

\*Bare reel—hose sold separately.