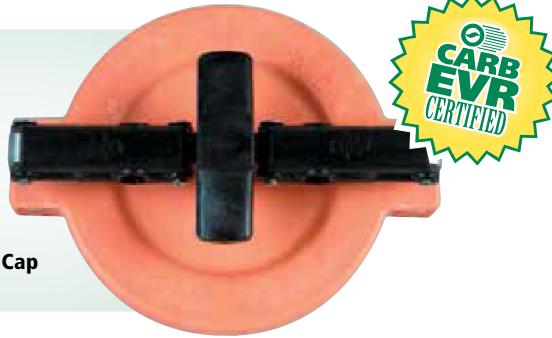


Materials

Body: Duratuff®
 Pins: Stainless steel
 Links: Duratuff®
 Gasket: Nitrile
 Color: Orange



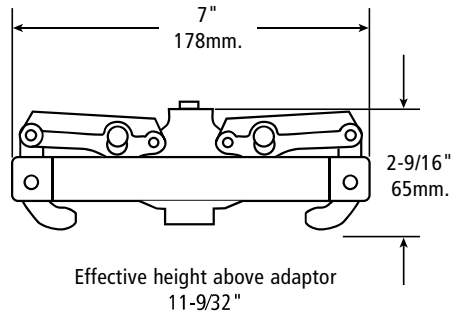
1711T Cap

Ordering Specifications

Product #	in.	mm	lbs.	kg
1711T-7085-EVR	3	76	1.1	.50

Replacement Parts

Part #	Description
H10886M	Nitrile Gasket



Materials

Cap: Cast zinc alloy (powder-coated orange)
 Lever: Ductile iron
 Gasket: Nitrile



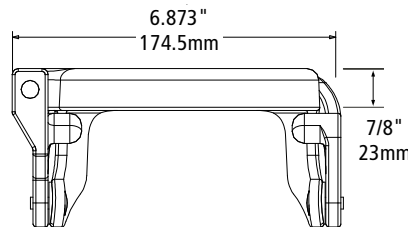
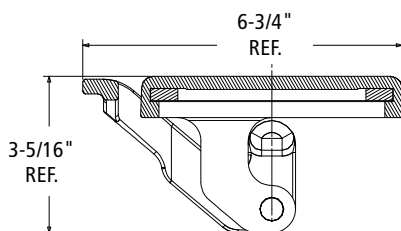
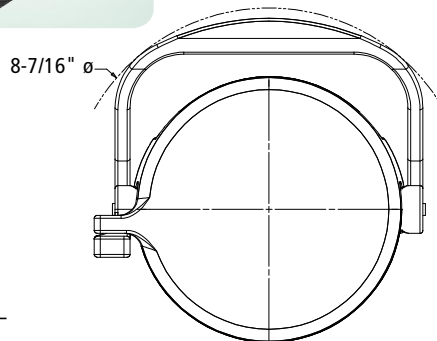
1711LPC Cap

Ordering Specifications

Product #	in.	mm	lbs.	kg
1711LPC-0300	3	76	3.5	1.59

Replacement Parts

Part #	Description
H15005M	Nitrile Gasket



OPW Stage 1 Vapor Recovery Caps

OPW 1711T

The OPW 1711T Vapor Recovery Cap is for use with the OPW 1611AV, 61VSA, 1611AVB and 1611VR Adaptors. The 1711T is installed on the vapor recovery adaptor, when not in use, to prevent vapors from escaping and to prevent water, dust and debris from entering the tank. Constructed of Duratuff® to help prevent corrosion, the OPW 1711T will couple to Civacon/OPW 4" Kamlocks, and features a center post that allows an even distribution of force when coupling to the adaptor. The 1711T can be locked with a padlock.

OPW 1711LPC Low Profile Vapor Cap

The OPW 1711LPC Low Profile Top-Seal Vapor Cap is designed for tight installations where the clearance between the top of the vapor adaptor and the underside of the spill container or manhole cover is limited. The rugged iron lever provides a positive cam-action that seats the cap firmly in the adaptor groove for a water and vapor-tight seal. When engaged, the lockable cap adds only 1/2" to the final height of the adaptor. The cap is powder-coated API Orange to signify vapor recovery. The 1711LPC can be used with the OPW 3" 1611AV, 1611AVB and 61VSA series vapor adaptors.

Listings and Certifications



Look for this label for authentic OPW EVR Approved products.

OPW 1711 Series Caps are EVR Approved for E85