

# Oil King™ and Coolant King™

308667U

EN

25 gallon (96 liter) used-fluid container for the collection of petroleum lubricants or antifreeze only.

## Models:

238866, Series D - Used Oil Receiver

248632, Series D - Used Anti-Freeze Receiver

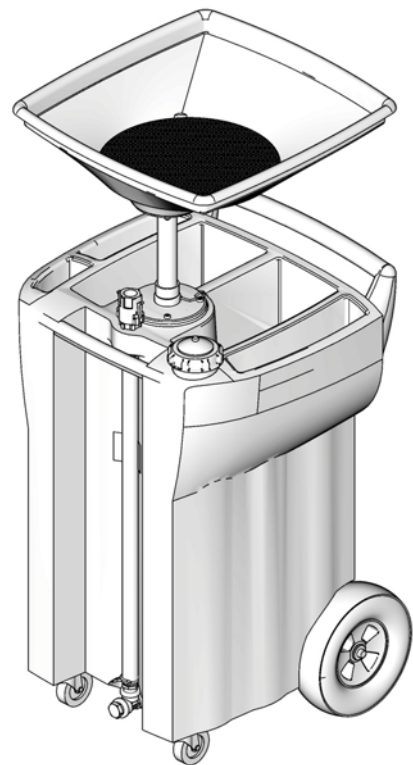
243650, Series A - Funnel Kit



### Important Safety Instructions




Read all warnings and instructions in this manual. Save these instructions.

These used fluid containers can be used with the Graco Used Oil Evacuation System and accessories documented in instruction manual 308719 and 308870.






# Warnings

The following warnings are for the setup, use, grounding, maintenance, and repair of this equipment. The exclamation point symbol alerts you to a general warning and the hazard symbols refer to procedure-specific risks. When these symbols appear in the body of this manual, refer back to these Warnings. Product-specific hazard symbols and warnings not covered in this section may appear throughout the body of this manual where applicable.

 <b>WARNING</b>	
	<p><b>EQUIPMENT MISUSE HAZARD</b></p> <p>Misuse can cause death or serious injury.</p> <ul style="list-style-type: none"> <li>• Do not operate the unit when fatigued or under the influence of drugs or alcohol.</li> <li>• Do not exceed the maximum working pressure or temperature rating of the lowest rated system component. See <b>Technical Data</b> in all equipment manuals.</li> <li>• Use fluids and solvents that are compatible with equipment wetted parts. See <b>Technical Data</b> in all equipment manuals. Read fluid and solvent manufacturer's warnings. For complete information about your material, request MSDS from distributor or retailer.</li> <li>• Do not leave the work area while equipment is energized or under pressure. Turn off all equipment and follow the <b>Pressure Relief Procedure</b> when equipment is not in use.</li> <li>• Check equipment daily. Repair or replace worn or damaged parts immediately with genuine manufacturer's replacement parts only.</li> <li>• Do not alter or modify equipment.</li> <li>• Use equipment only for its intended purpose. Call your distributor for information.</li> <li>• Route hoses and cables away from traffic areas, sharp edges, moving parts, and hot surfaces.</li> <li>• Do not kink or over bend hoses or use hoses to pull equipment.</li> <li>• Keep children and animals away from work area.</li> <li>• Comply with all applicable safety regulations.</li> </ul>
	<p><b>FIRE AND EXPLOSION HAZARD</b></p> <p>When flammable fluids are present in the work area, such as gasoline and windshield wiper fluid, be aware that flammable fumes can ignite or explode. To help prevent fire and explosion:</p> <ul style="list-style-type: none"> <li>• Use equipment only in well ventilated area.</li> <li>• Eliminate all ignition sources, such as cigarettes and portable electric lamps.</li> <li>• Keep work area free of debris, including rags and spilled or open containers of solvent and gasoline.</li> <li>• Do not plug or unplug power cords or turn lights on or off when flammable fumes are present.</li> <li>• Ground all equipment in the work area.</li> <li>• Use only grounded hoses.</li> <li>• If there is static sparking or you feel a shock, <b>stop operation immediately</b>. Do not use equipment until you identify and correct the problem.</li> <li>• Keep a working fire extinguisher in the work area.</li> </ul>



# WARNING

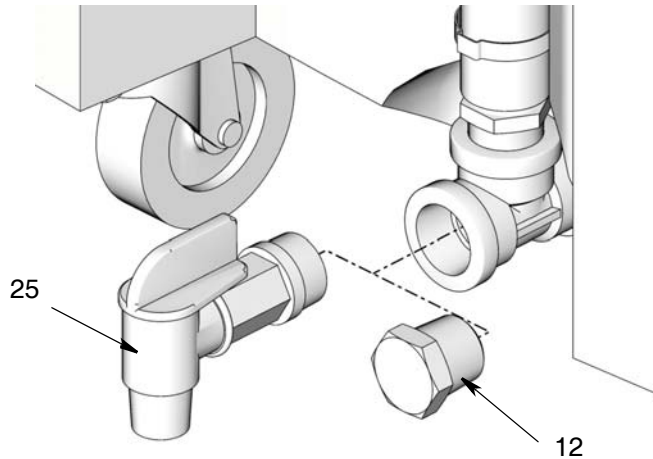
 	<p><b>MOVING PARTS HAZARD</b></p> <p>Moving parts can pinch, cut or amputate fingers and other body parts.</p> <ul style="list-style-type: none"> <li>• Keep clear of moving parts.</li> <li>• Do not operate equipment with protective guards or covers removed.</li> <li>• Pressurized equipment can start without warning. Before checking, moving, or servicing equipment, follow the <b>Pressure Relief Procedure</b> and disconnect all power sources.</li> </ul>
	<p><b>PERSONAL PROTECTIVE EQUIPMENT</b></p> <p>You must wear appropriate protective equipment when operating, servicing, or when in the operating area of the equipment to help protect you from serious injury, including eye injury, hearing loss, inhalation of toxic fumes, and burns. This equipment includes but is not limited to:</p> <ul style="list-style-type: none"> <li>• Protective eyewear, and hearing protection.</li> <li>• Respirators, protective clothing, and gloves as recommended by the fluid and solvent manufacturer.</li> </ul>

# Setup

**NOTICE**

Install a gravity drain valve to prevent spilling when not using a receiver evacuation system.

1. Before adding any fluid to the drum, select the evacuation method you will use to empty fluid from the drum when it is full.

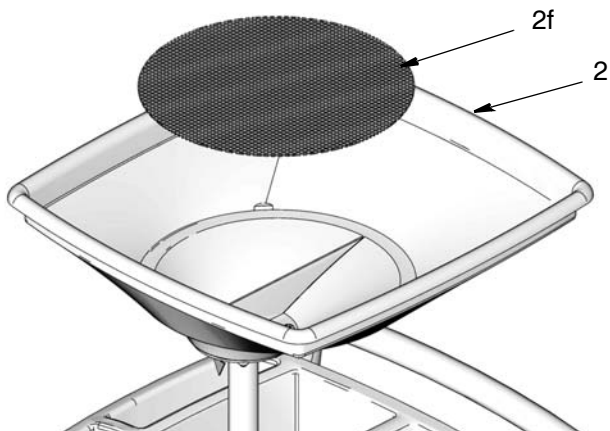


**FIG. 1**

- For evacuation systems, be sure the drain plug (12) is installed (also see instruction manual 308719.)
- For gravity fed systems, remove drain plug (12) and install drain valve (25).

**NOTE:** In FIG. 1 the drain valve (25) is shown in the closed position. To open it, rotate the handle so it points away from the drum.

2. The strainer (2f) is shipped loose and must be installed in funnel assembly (2) prior to use (FIG. 2).



**FIG. 2**

## Positioning the Collection Container

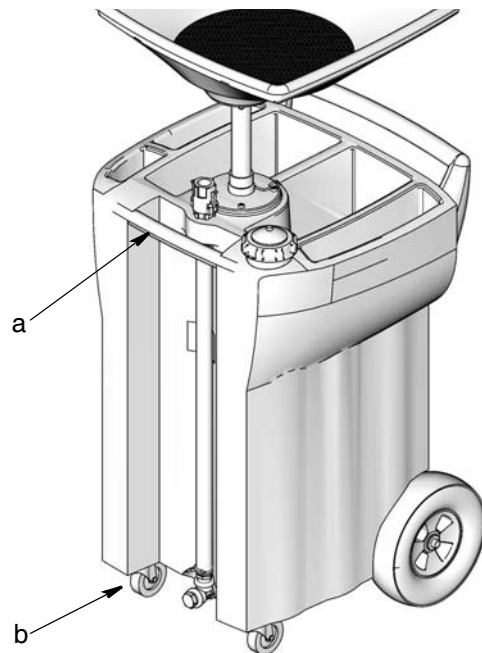
**NOTICE**

Do not attempt to move the collection container with the funnel assembly (2) raised or after you have started any drain procedure.

- Lowering the funnel assembly (2) until it meets the funnel collar (6), lowers the center of gravity and reduces the possibility of the unit tipping.
- Moving the collection container before completing any drain procedure could result in tipping and cause accidental fluid spills.

Guide the collection container to the drain location.

- Use the front handle (a) to move the collection container. Pivoting casters (b) are located on the front of the container to help make it easier to maneuver into the correct draining position.



**FIG. 3**

## Setting the Funnel Height

**NOTE:** Before adjusting the position of funnel assembly (2), ensure it is clear of any obstructions and all fluid has been drained through the strainer.



When compressing the torsion spring (8) do not allow the funnel assembly (2) to freely drop. This could result in your fingers or hand being pinched between the funnel assembly (2) and funnel collar (6). Always support the funnel with one hand whenever you compress the torsion spring (8) to change the funnel assembly position. See FIG. 4.

1. When the collection container is in the correct location for draining, set the funnel assembly (2) height.
2. Squeeze the torsion spring (8) with one hand while you use your other hand to raise or lower the funnel assembly (2) into the desired position.

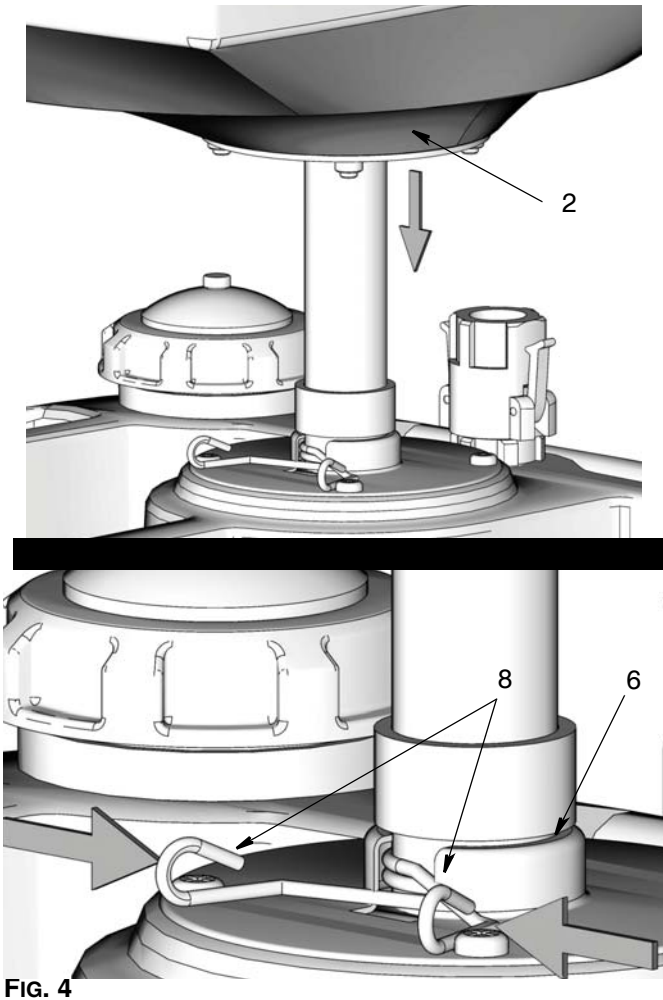


FIG. 4

## Usage Notes

Before you add any fluid to the drum, verify the pipe plug (12) or drain valve (25) is installed and the drain valve handle is closed (facing toward the drum) (FIG. 1, page 4).

### NOTICE

To prevent spills and/or overfilling:

- Do not fill the drum above the 25 gallon indication on the site tube.
- Make sure strainer (2f) (FIG. 2, page 4) is clean and obstruction free prior to use.

### Draining Fluid From the Drum

When drum is full, drain fluid by removing pipe plug (12) (see the Evacuation System instruction manual 308719) or rotate the drain valve handle (25) (FIG. 1, page 4) so it points away from the drum and empty contents into an approved disposal container.

- Always dispose of used fluids according to local, state and national codes applicable to the discarded fluid. Read fluid and solvent manufacturer's warnings. For complete information about your material, request MSDS from distributor or retailer.

### Sight Tube Repair Kit - 16C292

Instructions for this repair kit are included in instruction manual 406831 (included in the kit).

Part No.	Description	Qty
192871	TUBE, sight	1
122900	ADAPTER, hose	2
101818	CLAMP, hose	2

# Parts

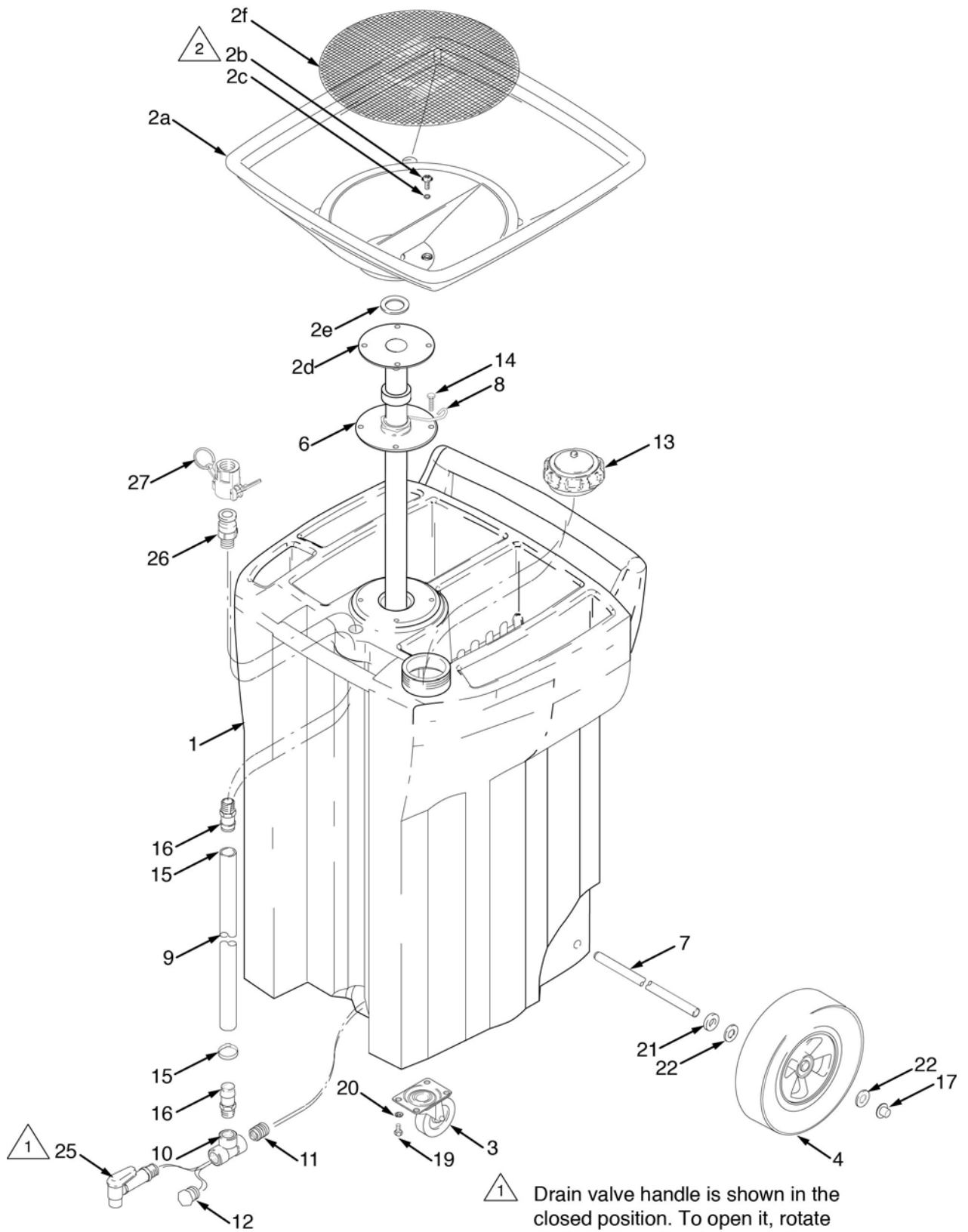
## Used Oil Receiver (black tank): Model 238866, Series D

## Used Anti-Freeze Receiver (green tank): Model 248632, Series D

Ref No.	Part No.	Description	Qty	Ref No.	Part No.	Description	Qty
1		TANK, 25 gallon (95 liter)	1	14	113783	SCREW, machine, panhead; 1/4-20 UNC-2A	4
2	243650	FUNNEL ASSEMBLY	1	15		CLAMP, hose; 1.362 inch (34.6 mm)	2
2a†		FUNNEL	1	16❖	122900	ADAPTER, hose	2
2b†		SCREW, machine, pan head, 5/16-18 UNC	4	17	113658	CREST NUT, hat	2
2c†	111959	O-RING	4	19		BOLT, hex head, 5/16-18 x 3/4 inch	8
2d†		TUBE, drain	1	20	100214	WASHER, lock; 5/16 inch	8
2e†	116092	GASKET	1	21	191824	WASHER, spacer; 0.66 inch I.D. x 0.25 inch thick	2
2f†	196562	STRAINER	1	22	111841	WASHER, plain; 5/8 inch	4
3	113645	CASTER, polyurethane; 3 inch (76 mm)	2	25	113895	VALVE, drain; 3/4 inch	1
4	113647	WHEEL, semi-pneumatic, syn- thetic rubber; 10.5 inch (267 mm)	2	26	113902	COUPLING, cam, male; 3/4 inch	1
6	191748	COLLAR, funnel	1	27◆	113907	COUPLING, cam, female; 3/4 inch	1
7	191752	AXLE	1	28†	126265	STOP, funnel, tube design	1
8	104820	SPRING, torsion	1	† Parts are included in Funnel Kit 243650			
9❖	192871	TUBE, sight, 1.29 inch O.D. inch, 1 inch x 29 inch	1	◆ This part is shipped loose and is not used in all installations. It is only used when a drain pump hose is used to connect the Oil King to a drain pump.			
10	113655	TEE, pipe; 3/4 inch x 3/4 inch x 3/4 inch	1	❖ Parts are included in Sight Tube Repair Kit 16C292. Kit also includes Hose Clamps 101818 (qty 2).			
11	113656	NIPPLE, pipe; 3/4 inch x 3/4 inch	1				
12	113657	PLUG, pipe; 3/4 inch	1				
13	113648	FILL CAP, vented	1				

## Technical Data

Length	24 inch (610 mm)
Width	24 inch (610 mm)
Height	
with bowl at lowest adjustment	45 inch (1143 mm)
with bowl at highest adjustment	69 inch (1573 mm)
Dry Weight	54 pounds (24.5 kg)
Fluid inlet/inspection port size	3 inch (76 mm) buttress
Fluid outlet fitting size	3/4 inch npt
Wetted parts	linear low-density polyethylene (LLDPE), zinc-plated steel, brass, nylon, polypropylene, PVC, Buna-N, poly- urethane
Recommended operating temperature	30°F to 105°F (-1°C to 41°C)



1 Drain valve handle is shown in the closed position. To open it, rotate the handle so it points away from the unit.

2 Torque to 30 – 35 in. lbs

# Graco Standard Warranty

Graco warrants all equipment referenced in this document which is manufactured by Graco and bearing its name to be free from defects in material and workmanship on the date of sale to the original purchaser for use. With the exception of any special, extended, or limited warranty published by Graco, Graco will, for a period of twelve months from the date of sale, repair or replace any part of the equipment determined by Graco to be defective. This warranty applies only when the equipment is installed, operated and maintained in accordance with Graco's written recommendations.

This warranty does not cover, and Graco shall not be liable for general wear and tear, or any malfunction, damage or wear caused by faulty installation, misapplication, abrasion, corrosion, inadequate or improper maintenance, negligence, accident, tampering, or substitution of non-Graco component parts. Nor shall Graco be liable for malfunction, damage or wear caused by the incompatibility of Graco equipment with structures, accessories, equipment or materials not supplied by Graco, or the improper design, manufacture, installation, operation or maintenance of structures, accessories, equipment or materials not supplied by Graco.

This warranty is conditioned upon the prepaid return of the equipment claimed to be defective to an authorized Graco distributor for verification of the claimed defect. If the claimed defect is verified, Graco will repair or replace free of charge any defective parts. The equipment will be returned to the original purchaser transportation prepaid. If inspection of the equipment does not disclose any defect in material or workmanship, repairs will be made at a reasonable charge, which charges may include the costs of parts, labor, and transportation.

**THIS WARRANTY IS EXCLUSIVE, AND IS IN LIEU OF ANY OTHER WARRANTIES, EXPRESS OR IMPLIED, INCLUDING BUT NOT LIMITED TO WARRANTY OF MERCHANTABILITY OR WARRANTY OF FITNESS FOR A PARTICULAR PURPOSE.**

Graco's sole obligation and buyer's sole remedy for any breach of warranty shall be as set forth above. The buyer agrees that no other remedy (including, but not limited to, incidental or consequential damages for lost profits, lost sales, injury to person or property, or any other incidental or consequential loss) shall be available. Any action for breach of warranty must be brought within two (2) years of the date of sale.

**GRACO MAKES NO WARRANTY, AND DISCLAIMS ALL IMPLIED WARRANTIES OF MERCHANTABILITY AND FITNESS FOR A PARTICULAR PURPOSE, IN CONNECTION WITH ACCESSORIES, EQUIPMENT, MATERIALS OR COMPONENTS SOLD BUT NOT MANUFACTURED BY GRACO.** These items sold, but not manufactured by Graco (such as electric motors, switches, hose, etc.), are subject to the warranty, if any, of their manufacturer. Graco will provide purchaser with reasonable assistance in making any claim for breach of these warranties.

In no event will Graco be liable for indirect, incidental, special or consequential damages resulting from Graco supplying equipment hereunder, or the furnishing, performance, or use of any products or other goods sold hereto, whether due to a breach of contract, breach of warranty, the negligence of Graco, or otherwise.

## **FOR GRACO CANADA CUSTOMERS**

The Parties acknowledge that they have required that the present document, as well as all documents, notices and legal proceedings entered into, given or instituted pursuant hereto or relating directly or indirectly hereto, be drawn up in English. Les parties reconnaissent avoir convenu que la rédaction du présente document sera en Anglais, ainsi que tous documents, avis et procédures judiciaires exécutés, donnés ou intentés, à la suite de ou en rapport, directement ou indirectement, avec les procédures concernées.

# Graco Information

For the latest information about Graco products, visit [www.graco.com](http://www.graco.com).

**TO PLACE AN ORDER**, contact your Graco distributor or call to identify the nearest distributor.

**Phone:** 612-623-6928 **or Toll Free:** 1-800-533-9655 **Fax:** 612-378-3590

*All written and visual data contained in this document reflects the latest product information available at the time of publication.  
Graco reserves the right to make changes at any time without notice.*

*For patent information, see [www.graco.com/patents](http://www.graco.com/patents).*

Original instructions. This manual contains English. MM 308667

**Graco Headquarters:** Minneapolis

**International Offices:** Belgium, China, Japan, Korea

**GRACO INC. AND SUBSIDIARIES • P.O. BOX 1441 • MINNEAPOLIS MN 55440-1441 • USA**

**Copyright 1996, Graco Inc. All Graco manufacturing locations are registered to ISO 9001.**

[www.graco.com](http://www.graco.com)

Revised November 2014