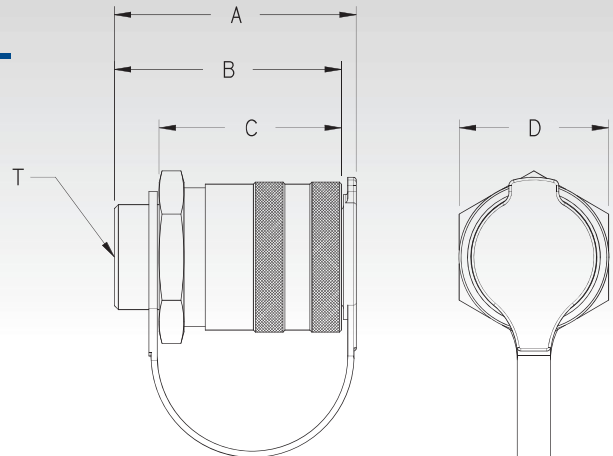


Service Couplings

R11

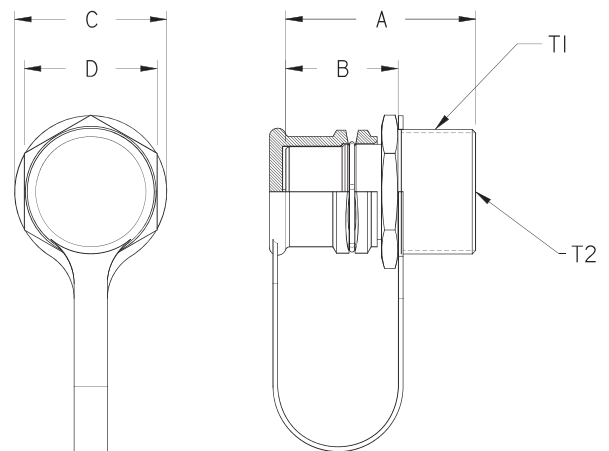
Coolant Nozzle



NOZZLE			Dimension				
Application	Part #	Cap	A	B	C	D	T
Coolant	R11	R1107	2.70" Max	2.53" Approx	1.92" Approx	1.500" Hex	.50" NPT Int. Thread
Transmission	R13	R1307	3.100" Max	2.85" Approx	2.20" Approx	1.750" Hex	.75" NPT Int. Thread
Oil	R15	R1507	3.300" Max	3.04" Approx	2.25" Approx	2.00" Hex	.75" NPT Int. Thread
Hydraulic	R17	R1707	3.700" Max	3.42" Approx	2.75" Approx	2.250" Hex	1.00" NPT Int. Thread

R12

Coolant Receiver



RECEIVER			Dimension					
Application	Part #	Cap	A	B	C	D	T1	T2
Coolant	R12	R1205	2.23" Max	1.17" Approx	1.410" Max	1.250" Hex	1.187"-12UN-2A Thread	.875"-14UNF-2B Int. Thread with SAE J1926/1-10 Boss Seal Surface
Transmission	R14	R1405	2.49" Max	1.39" Approx	1.610" Max	1.437" Hex	1.312"-12UN-2A Thread	1.062"-12UN-28 Int. Thread with SAE J1926/1-12 Boss Seal Surface
Oil	R16	R1605	2.50" Max	1.50" Approx	1.990" Max	1.750" Hex	1.625"-12UN-2A Thread	1.312"-12UN-2B Int. Thread with SAE J1926/1-16 Boss Seal Surface
Hydraulic	R18	R1805	2.89" Max	1.70" Approx	2.300" Max	2.000" Hex	1.875"-12UN-2A Thread	1.625"-12UN-2B Int. Thread with SAE J1926/1-20 Boss Seal Surface