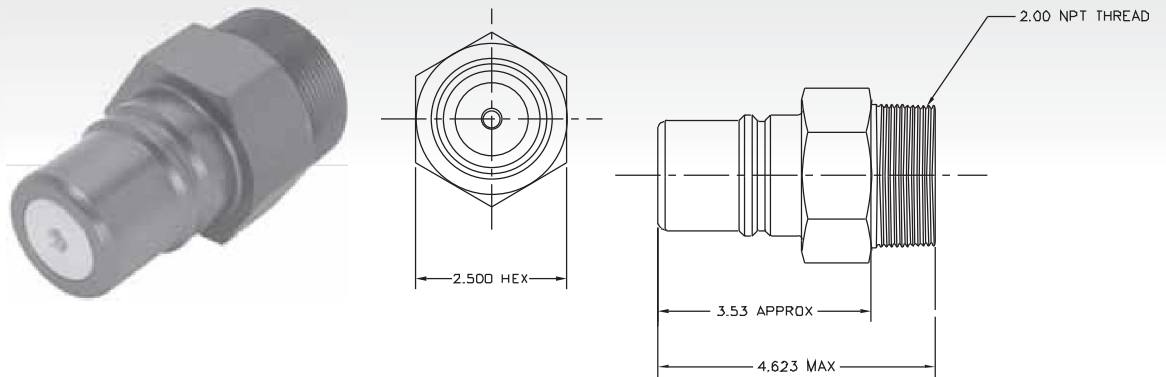


Fuel Receivers

ZN2A



► Data Table

Receiver	Application	Poppet Color
ZN2A	Standard for most applications and mountings	Clear
ZN2B	has a light spring to avoid premature shutoff when head pressure is higher than normal	Blue
ZN2D	has a heavy spring to avoid overfilling the tank when head pressure is lower than normal	Red
ZN2AC	Stainless-Steel version of ZN2A	Clear
ZNC2A	Same as ZN2 with cap	